

Pilot Publications

February 2019

Happy Valentines Day!

I hope you were all able to stay warm during the freeze! Please make sure that you are checking the daily weather and your students are dressed appropriately for the weather. If your student needs a coat, hat, scarf, gloves then have them come to the office so we can help them.

Students have been reading the book Masterpiece since January. We are having our One School One Book Literacy Family Night on Thursday at 6:00 -7:30. We can't wait to see you all on Thursday.

Please contact your teacher to schedule a Parent/Teacher conference for 2/14/19. The hours are 12:00-7:30 p.m.

All 6th grade students are invited to attend Harlem Middle School's 6th grade orientation at Machesney Elementary on February 11th at 5:30 pm.

Sincerely,

Mrs. Edwards
Machesney Elementary
Principal

Take Note:

Please remember if you are picking up your student(s) from after school activities to follow the drop-off/pick-up procedures. The procedure is to go to the north entrance and follow the lane around the parking lot to the front of the building circle.

Happy
Valentine's
Day

Upcoming Events:

- 2/5 - PTO Meeting-6:00 pm LC
- 2/6 - Card Club-Group 2 5th & 6th Gr 2:30 LC
- 2/7 - Wellness Club-Group 1 2:40-Rm 23
- 2/7 - Literacy Night-One School One Book 6:00-7:30 pm
- 2/7 - Book Fair 6:00-7:30 pm
- 2/13 - Card Club-Group 1 4th Gr 2:30 LC
- 2/14 - Parent/Teacher Conf 12-7:30
- 2/15 - 2/18 No School
- 2/20 - Fine Arts Parent Info Meeting 6:00pm-Gym
- 2/20 - RRS Committee Mtg 2:35-2:45 Rm 3
- 2/20 - Card Club-Group 2 5th & 6th Gr 2:30 LC
- 2/21 - Wellness Club-Group 2 2:40-Rm 23
- 2/21 - Battle of the Books-Teams Battles 2:45 pm LC
- 2/21 - RAK Meeting-2:45- pm Gym
- 2/22 - End of Grading Period 2
- 2/25 - PTO Skate Night-Skate Co. 6-8 pm
- 2/26 - Chess Club-2:30- pm Room 15
- 2/27 - Card Club-Group 1 4th Gr 2:30 LC
- 2/28 - Wellness Club-Group 1 2:40-Rm 23
- 2/28 - Battle of the Books-Teams Battles 2:45 2:45 pm LC

Machesney Elementary

8615 N. Second St.
Machesney Park, IL 61115

Phone: 815-654-4509
Fax: 815-637-7421

► We Soar Above and Beyond!

Safety First!

- Please remember that it is a law that you may NOT talk on a cell phone in a school zone. This includes our parking lot and circle driveway. This is to ensure student safety. Please put down the cell phone while in school zones!
- Smoking is NOT allowed on school property. This includes the parking lot and circle driveway.
- Visitors: please enter through the front door and sign-in in the office. You will need to bring an ID.
- Breakfast and supervision starts at 7:35 a.m. Please do not drop off your students early unless they are in the Kids Care program through the YMCA.

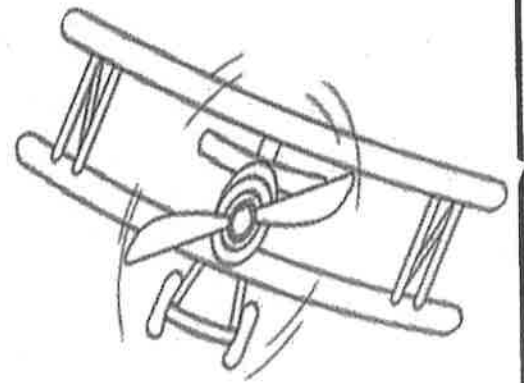
ATTENTION PARENTS OF CURRENT 5th GRADERS!!!!

A physical exam and immunizations are required next year for ALL incoming 6th grade students.

Physical exams and immunization documentation must be turned into school on or before the first day of student attendance or your student may be excluded from school per the State of Illinois. Appointment notes will no longer be accepted per district policy. Please don't wait! Please call your child's medical provider and schedule your child's appointment now. Physical exam forms dated after 8/15/18 can be accepted for next year. Physical and immunization documentation forms may be turned in to the main office anytime this school year and will be placed on file for next year.

The Little Free Library located in front of the school is continuing to be used by students, families, and the community. We are very excited to have this opportunity for our community. All are welcome to come take a book of your choice and leave a book, if you are able. We are stocking the Little Free Library weekly with more books of all levels from board books

to chapter books and even some magazines are in the library. We hope that you take advantage of this and spread the word in the community. Please come to the Little Free Library during the summer as we will keep it full all summer for our students. KEEP READING:)



Machesney Elementary School Presents:

*Voices for Peace
A Concert of Young Voices*



Machesney Elementary is proud to invite you to its Spring Concert :Voices for Peace; A Concert for Young voices. Machesney's students will present songs and poems from many different cultures and eras concerning peace. Please join us on March 20, 2019 at 1:30 pm or 6 pm.